

# **Installation manual**

---

**Version 1.0 Revision 002**

## Contents

1Presentation .....	3
2More than one OneZone in the installation .....	3
3Included in the box.....	4
4Características técnicas .....	<b>¡Error!</b>
<b>Marcador no definido.</b>	
5Installation .....	7
6Check.....	9
7Youtube .....	10

# 1 Presentation

OneZone consists of a motorized damper with a receiver and a wireless digital thermostat. Its operation is very simple: you select the temperature you want, OneZone gate opens to let hot or cold air when the selected temperature is reached, the gate closes automatically.

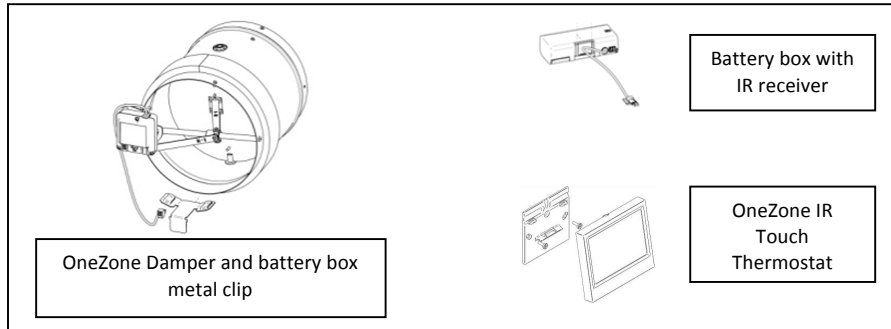
Note that OneZone controls the temperature in the room but not the performance of the air conditioning machine. So the AC unit must be set to On for the room to have air conditioning.

# 2 More than one OneZone in the installation

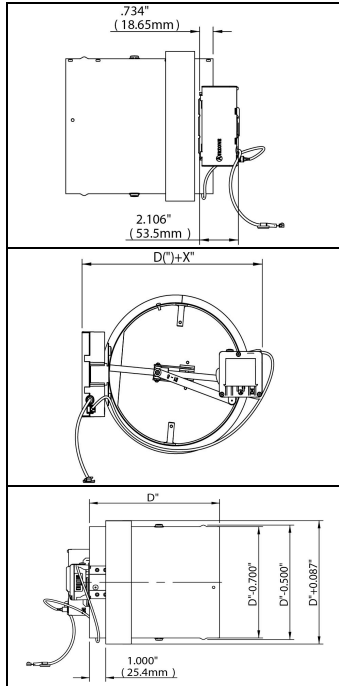
It is possible to install more than one OneZone in a single air handler. However, do not install more than one third of the number of outputs OneZone, being recommended for areas that have too cold or too hot. If I had records with airflow control, make sure they are fully open.

### 3 Included in the box

The OneZone box, besides the documentation and batteries, includes the following parts:

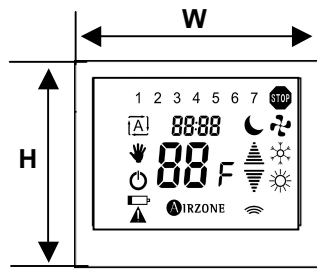


## 4 Technical Data Sheet



D(″)	D(″)+X(″)
6	7.696
8	9.857
10	11.929

MATERIAL	
Damper body	Aluminium
MOTOR	
V Max.	$\pm 12$ V
I Nom.	40 mA
I Max.	250 mA
Motor Par	0,8 Nm
Limit switch	Electronically regulated by Airzone
BATTERY	
Type of batteries	2 x Type C (1.5 V)



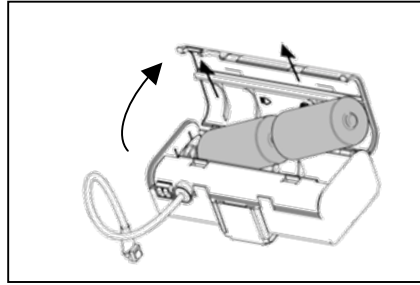
POWER SUPPLY	
V Max.	3,3Vdc ± 10%
Stand By Consumption	108 mW
OPERATIVE TEMPERATURES	
Stock	(-4°F) a 158 °F
Working	32°F a 122°F
Set-point temperatura range	59° F a 86° F
Reading resolution	±1 ° F
Display resolution	±1 ° F
INFRARED CONNEXION	
Maximun distance	50 ft
MECHANICAL ASPECTS	
Assemble	Wall mounted with fittings
Size (H x L x W)	4.13 x 3.58 x 0.94 inch

## 5 Installation

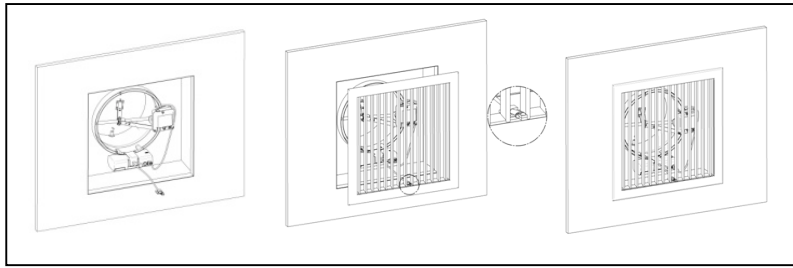
To install this system, a screwdriver and a drill may be required.

To complete the installation, follow the steps:

1. Insert batteries (C Type) in the battery box following the directions for the batteries polarity.
2. Insert the battery box in the metallic clip, and insert the clip in the damper's edge.
3. Connect the motor cable to the battery box.



4. Remove the air supply grille and insert the damper in the supply duct.
5. Affix the IR receiver connected to the battery box in the grille frame pointing towards where the thermostat will be installed. Use the adhesive strapped to the IR receiver cable.
6. Return the grille to its original position.



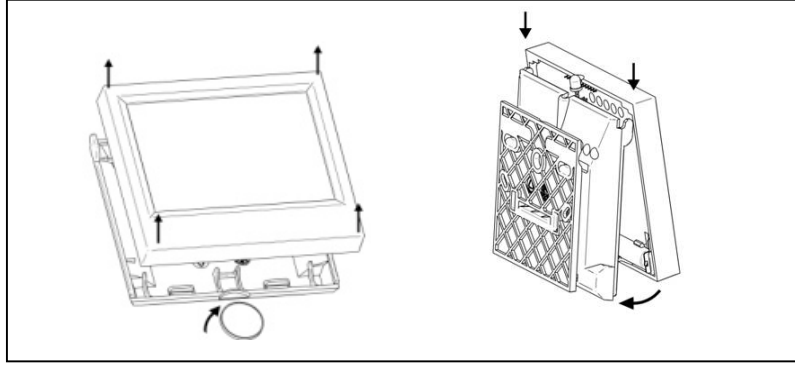
The thermostat should be located in a place with good air circulation, and not exposed to direct sun light, light spots or above heaters, and not on external walls.

To install the thermostat, follow steps:

1. Remove the thermostat wall base and present it in the wall and mark to level it,
2. Affix the wall base with tape or screws,
3. Open the thermostat, and insert the batteries (AAA Type), following the polarity indications. To open the thermostat insert a coin in the gap located in the bottom part of the thermostat frame, and turn it to open the thermostat,



4. Insert the back plate to the wall base, and then, insert the thermostat in the hooks located in the base and press the thermostat against the base to lock it in position.



## 6 Check

Once the OneZone Damper and the thermostat are installed, it is suggested to check the system operation. To do that, follow the steps:

1. Set the AC unit to run,
2. Select the same operating mode as selected in the AC.
3. If the mode is set to heat, increase the temperature selection to the maximum.  
If the mode is cool, lower the temperature to the minimum. This action will force the damper to the open position.
4. Power off the OneZone thermostat and verify that the damper stays open.

## 7 Youtube

You can have a better understanding on how easy it is the installation by watching the following video:



See our youtube channel: [www.youtube.com/comfortairzone](https://www.youtube.com/comfortairzone)