

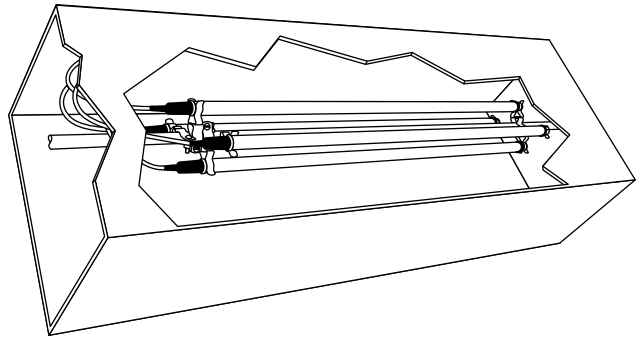


AIRBORNE DUCT SYSTEM

Installation & Maintenance of the Fresh-Aire UV® Airborne Duct System for Commercial HVAC Systems

The Fresh-Aire UV® Airborne Duct System is designed for installation into commercial HVAC system ducts for the purpose of airborne disinfection using ultraviolet germicidal irradiation. For maximum installation flexibility and cost-effectiveness the UV lamps are mounted onto a framework of standard 0.5" EMT tubing. The remotely mounted weather resistant power supply can withstand the wet environment found inside of air handlers or the exposed conditions of outdoor packaged air conditioning systems.

As a general rule, standard output UV lamps and power supplies are recommended for surface treatment applications. High output lamps are typically recommended for airborne treatment. Both types of systems may be installed in a similar fashion with the same mounting hardware. The Airborne Duct System can use from one to six UV lamps depending on the application.



WARNING
 PROTECT EYES FROM UV LIGHT
 TURN OFF UNIT OR DISCONNECT
 BEFORE SERVICING

IMPORTANT!

- Only qualified technicians should install this product*
- Install in accordance with relevant building codes
- Read instructions carefully including safety warnings

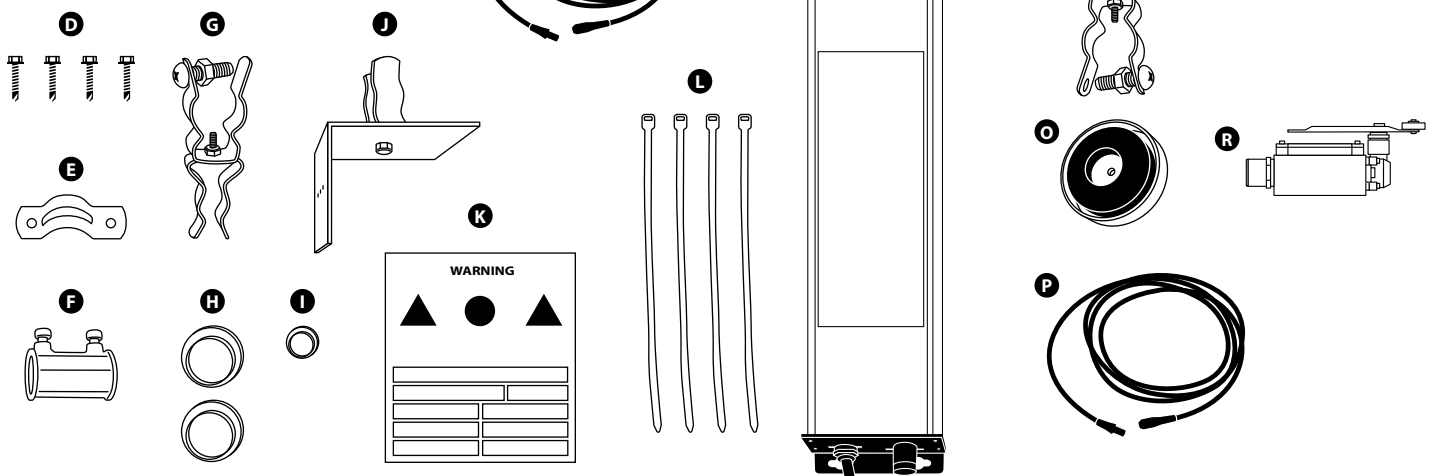
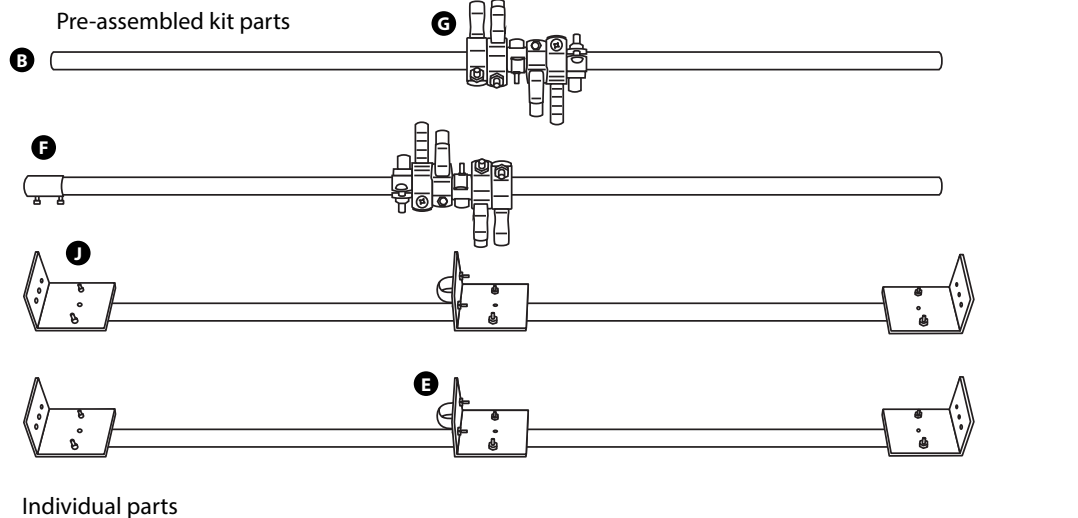
*Installation of this product by anyone other than licensed HVAC or electrical contractors voids warranty.

Parts Included

- A** UV Lamp(s)
- B** Lamp Cable
- C** Conduit Tubing
- D** Sheet-metal Screws
- E** 1/2" Pipe Clamps
- F** 1/2" Pipe Couplings
- G** Lamp/conduit Clamps
- H** Sight Glass 1"
- I** Sight Glass 1/2"
- J** L - Mounting Brackets
- K** UV Warning Sticker
- L** Nylon Zip-Ties
- M** Power Supply(s)

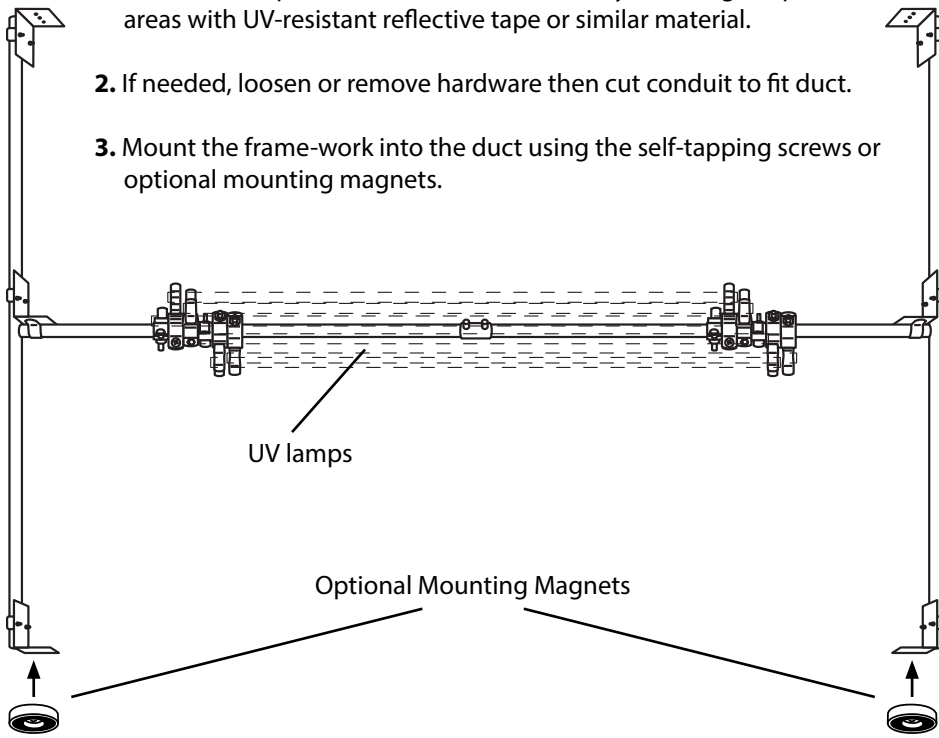
Optional Parts

- N** Conduit/conduit Clamp
- O** Mounting Magnet
- P** Cable Extensions 5', 10',
- Q** Cable Strain Relief 3/4" or 1"
- R** Door Interlock Switch

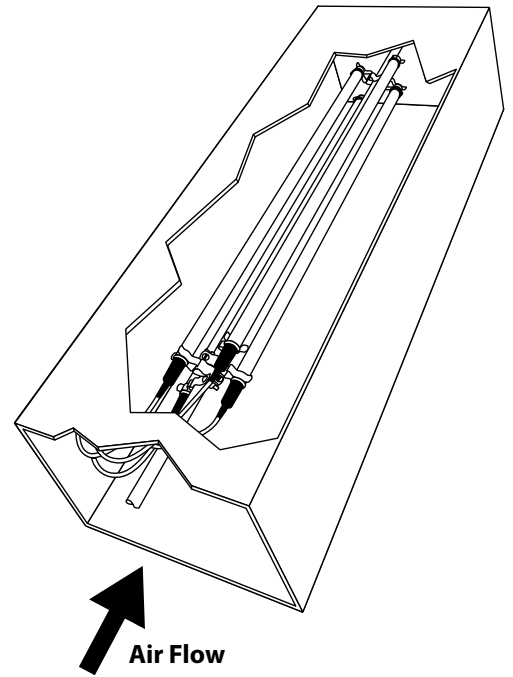


System Configuration A: In-Line With Air Flow (pre-assembled parts are ready for this configuration)

1. Cut an access panel into the duct. If necessary cover high exposure areas with UV-resistant reflective tape or similar material.
2. If needed, loosen or remove hardware then cut conduit to fit duct.
3. Mount the frame-work into the duct using the self-tapping screws or optional mounting magnets.

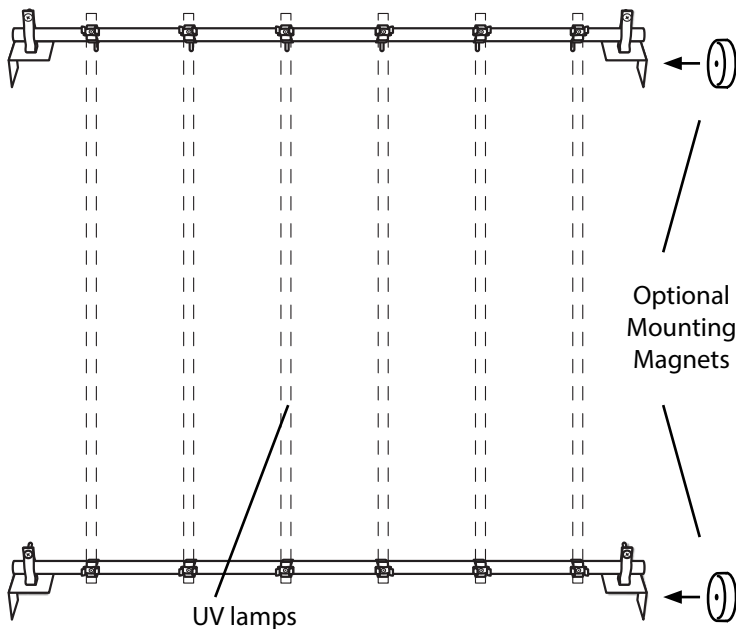


Configuration A Assembled

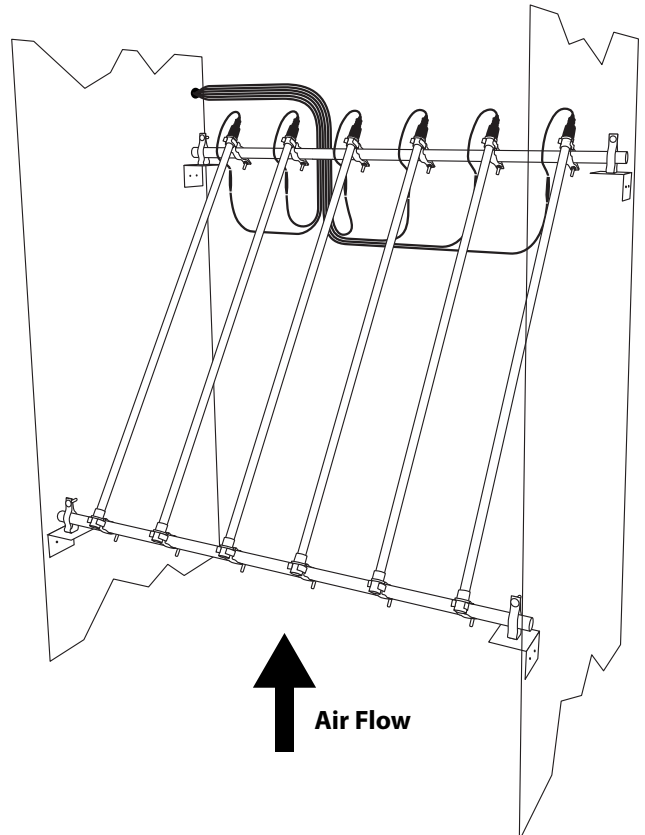


System Configuration B: Diagonal To Air Flow

1. Cut an access panel into the duct. If necessary cover high exposure areas with UV-resistant reflective tape or similar material.
2. Remove hardware then cut conduit to fit duct.
3. Re-attach hardware in the configuration below.
4. Adjust the angle of the mounting brackets so the UV lamps will cross the air-stream diagonally. Mount the frame-work into the duct using the self-tapping screws or optional mounting magnets.

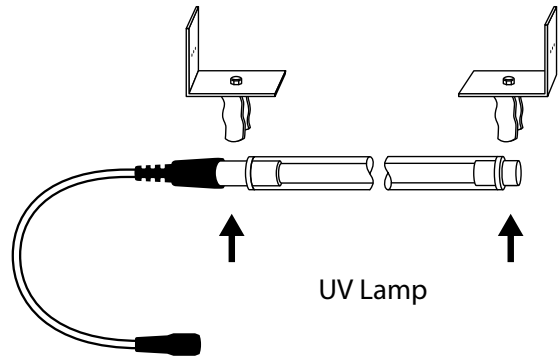


Configuration B Assembled



2 Install UV Lamps

Snap **UV Lamps** into the **Lamp/conduit Clamps**. Be sure to clamp to the rubber lamp connector on one end and the plastic lamp tip on the other end. **DO NOT clamp onto the lamp glass.**

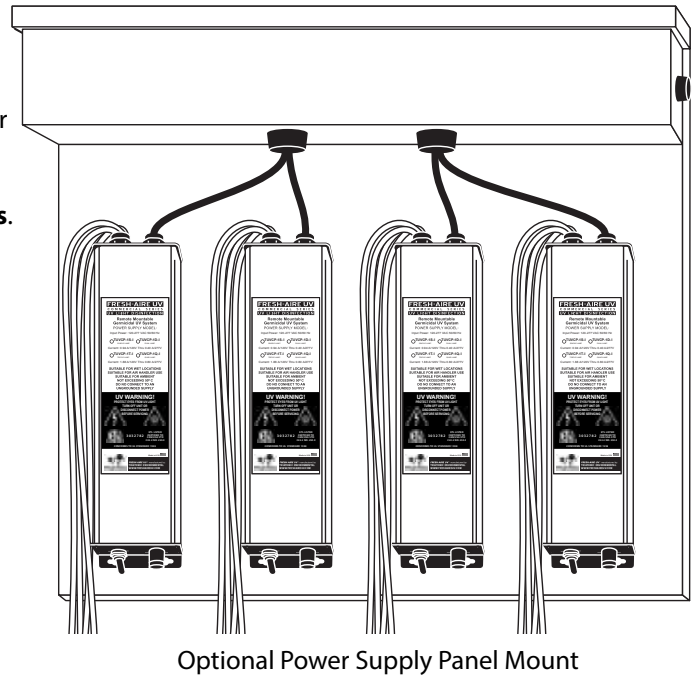
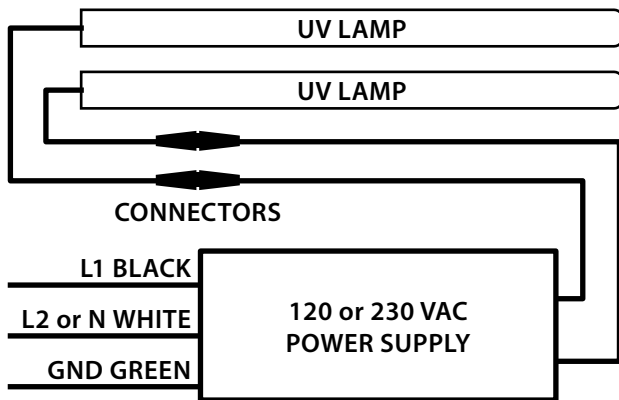


3 Mount Power Supply(s)

Mount the power supply in a location (inside or outside of the HVAC system) that is convenient for access to the main power supply and for connection to the UV lamps. An **Optional Power Supply Panel Mount** (part # TUVCP-P) is available for mounting two or more power supplies.

1. Use the supplied self-taping sheet metal screws to mount the power supply in place through the mounting holes on the sides of the base. It is recommended to use wire boxes, our **Optional 3/4" or 1" Cable Strain Relief**, or other sealing methods in order to pass the power cord and lamp cables into the interior of the air duct for connections.
2. **IMPORTANT! Turn off main power before making connections.** Refer to the **Electrical Diagram** for proper connection of the power supply to the main power.

Electrical Diagram

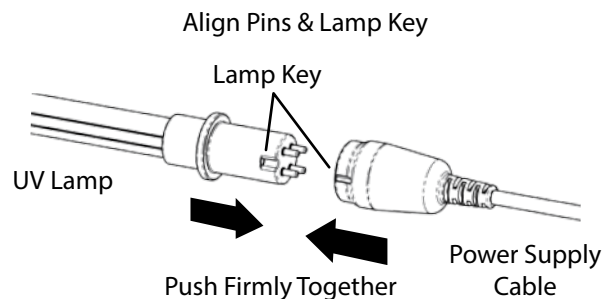


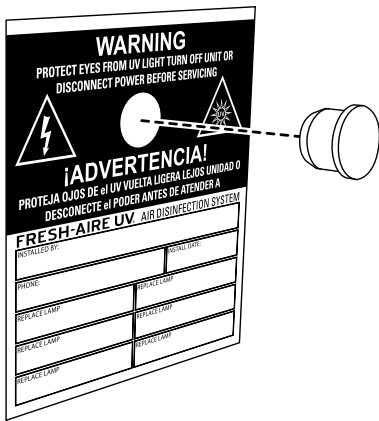
IMPORTANT! Connect in accordance with all state and local electrical and building codes. Proper voltage is automatically selected by the unit between 120 or 230 VAC Single Phase 50/60 hz. **IMPORTANT! External power suppressor may be needed if power surges occur.**

3. Use of **Optional Door Interlock Switches** is highly recommended to prevent accidental exposure to UV Light. Interlock switches are mounted on the access panels and doors so the UV lights turn off when the entryway is opened.
4. Use the **Optional UV Output Monitor**, to alert maintenance personnel when UV lamps should be replaced.

4 Connect Lamps & Cables

Arrange cables as needed for installation. If necessary use the **Optional 3/4" or 1" Cable Strain Relief** to pass cables through cabinets, air system walls, etc. **Optional 5', 10', 20' Cable Extensions** are available for longer runs. When UV lamps, power supplies, and cables are in place join the lamp and power supply cables by aligning the electrical pins and flanges on the rubber connectors and pushing them firmly together.





5 Sight-Glass Installation

1. Find a suitable location such as a door to the HVAC system and apply the UV warning/lamp replacement sticker.
2. Drill a 1/2" hole through the orange circle on the sticker. Press the sight glass into hole.

6 Power-up System

Caution: UV-C light that can cause **Serious Eye Burns** and **Temporary Blindness**, Ensure all access panels have been replaced and doors closed before powering-up the system.

Turn on the main power then switch on the UV light power supply(s). Use the sight glass to confirm that the UV Lamp(s) is operating.

7 UV System Maintenance

Periodically wipe the UV lamps with a clean cloth or alcohol swab to remove any accumulated dust or dirt. This should be performed at least every 6-9 months or during routine maintenance intervals. Fouling could occur if lamps are installed under chilled water lines. Wipe clean or install optional shield.

8 UV Lamp Replacement

Fresh-Aire UV® lamps are rated for either one or two years germicidal effectiveness. The lamps will continue to glow after they have expired but their germ-killing effectiveness diminishes with time so they must be replaced on schedule for the system to function properly. **Contact your local dealer for replacement lamps.**

Part# TUVCL-132	1 Year Effective Lamp Life
Part# TUVCL-132HO	High Output - 1 Year Effective Lamp Life
Part# TUVCL-232	2 Year Effective Lamp Life
Part# TUVCL-146	46" 1 Year Effective Lamp Life
Part# TUVCL-246	46" 2 Year Effective Lamp Life
Part# TUVCL-160	60" 1 Year Effective Lamp Life
Part# TUVCL-260	60" 2 Year Effective Lamp Life

Important! Use only Fresh-Aire UV® replacement lamps. Use of replacement lamps from other manufacturers voids the warranty.

9 Trouble Shooting

Problem	Solution
UV Lamp(s) Not Lighting	<ol style="list-style-type: none"> 1. Check that power is applied. 2. Check that the unit is turned ON. 3. Ensure the remote lamp cables are properly connected. 4. Check the fuse. Replace only with same size and type. 5. Reset power switch on power supply (off then on). 6. Install New UV Lamp(s). 7. Consult Factory.
UV Lamp(s) Flickering	<ol style="list-style-type: none"> 1. UV Lamp(s) have reached end of effective service life. Install new lamp(s) of same type. 2. If unit is new, check remote cables to ensure they are properly connected. 3. Reset power switch on power supply (off then on). 4. If new lamps still flicker, consult factory.
UV Lamps Have burned Out Prematurely	<ol style="list-style-type: none"> 1. Defective power supply, Consult Factory.
Power Supply Will Not Light UV Lamps even after new lamps are installed	<ol style="list-style-type: none"> 1. Defective power supply, Consult Factory. 2. External power suppressor may be needed if power surges occur.

Fresh-Aire UV® Commercial Series

Fresh-Aire UV® lights save energy by reducing microbial growth inside HVAC systems, lower maintenance costs and reduce maintenance workers exposure to chemicals while improving indoor air quality. Our commercial systems are renowned for their quality materials, innovative features, ease of installation, and flexible mounting options. Most feature our advanced multi-voltage water-resistant power supply. All come with the Fresh-Aire UV® Lifetime Warranty on all parts except lamps.

Standard Commercial UV Light System

Standard 32" lamps with L-brackets for easy installation. Choose 32", 46", 60" normal-output or 32" high-output lamps. Combine single, dual, triple, quad lamp configurations to suit any size HVAC installation.

Tubular Rack System

The Fresh-Aire UV® Tubular Rack System offers easy, flexible installation of multi-lamp configurations. The Tubular Rack System is installed using supports made with standard ½" EMT tubing (not included). You can also choose to have custom steel tubing prepared for you by Fresh-Aire UV®. The system includes all the hardware necessary for mounting.

APCO® Rack System

Same as our Modular Rack System with the addition of activated carbon cells for photocatalytic VOC reduction.

Airborne Duct System

Features High-Output lamps for air-steam disinfection. Ideal for hospitals, clean-rooms, and other IAQ priority situations.

Panel Mount System

Installs in hard to reach areas by allowing access to the coil from the outside of the air system.

Tight-Fit Kit™

Low-voltage UV disinfection for PTACs, fan coils, & wall-mount systems.

Fresh-Aire UV® Warranty:

This warranty supersedes and replaces any warranty statements orally made by the Sales Person, Distributor or Dealer or contained in the written instructions or other Brochures or informational documents in relation to this product. This warranty gives you specific legal rights, and you may also have other rights which vary from State to State.

What Does This Warranty Cover? This lifetime limited manufacturer warranty covers any defects or malfunctions in material and workmanship under the normal use and service when operated and maintained in strict accordance with manufacturer's instructions for the Lifetime of the equipment.

How Long Does The Coverage Last? 1) Fresh-Aire Power Supply: For as long as you own the real property where the product is installed. 2) TUVL-1XX and TUVCL-1XX Series Ultraviolet Lamps are warranted for germicidal output for one-year from the date of installation. 3) TUVL-2XX and TUVCL-2XX Series Ultraviolet Lamps are warranted for germicidal output for two (2) years from the date of installation. This warranty is not transferable.

What Will Triatomic Environmental, Inc. Do? Triatomic Environmental, Inc. will replace any defective or malfunctioning part at no charge. You must pay any labor charges and shipping charges of defective product to our warranty department.

What Does This Warranty Not Cover? THIS PRODUCT IS NOT INTENDED TO BE PURCHASED AND INSTALLED BY UNLICENSED HVAC OR ELECTRICAL CONTRACTORS. This warranty does not cover products or parts purchased from any source other than licensed HVAC or electrical contractors. This warranty does not cover parts installed by unlicensed HVAC or electrical contractors. This warranty does not cover parts damaged as a result of misuse, abuse, or any use other than its intended use, accident, acts of god, neglect, or from improper operation, maintenance, installation, modification or adjustments. Triatomic Environmental, Inc. shall have no responsibility for charges incurred by the customer for installation or removal of warranted items.

This warranty does not cover parts or equipment used with the Fresh-Aire that are not manufactured by Triatomic Environmental, Inc.

**This warranty shall be void if UV lamps from manufacturer's other than Triatomic Environmental, Inc. are used with this equipment.

Consequential and incidental damages are not recoverable under this warranty. Manufacturer assumes no liability for any harm, which may occur as a result of the use of the equipment herein and shall not be liable for consequential or any other damages whether or not caused by manufacturer's negligence or resulting from any express or implied warranty or breach thereof. Consequential damages for the purpose of this warranty shall include, but not be limited to, loss of use, income or profit, or loss of or damages to property or injury or death to persons or animals occasioned by or arising out of operation, use, the operation, installation, repair or replacement of the equipment or otherwise. Some states do not allow the exclusion or limitation of incidental or consequential damages, so the above limitation or exclusion may not apply to you.

There are no Warranties which extend beyond the description of the face hereof.

How Do You Get Service? In order to be eligible for service under this warranty you MUST return the warranty registration card included in the packaging within 30 days of installation of the Fresh-Aire product. If something goes wrong with your product, call 800-741-1195 to receive a Return Merchandise Authorization (RMA) and instructions for returning the product to a licensed distributor in your area or the manufacturer.

Once the product is returned, we will inspect your product and contact you within 10 business days of our receipt of the product to give the results of our inspection. If we determine that the product is covered under this warranty, we will ship to you at no additional cost a replacement part. Replacement parts may be refurbished. If we determine that the product is not covered under this warranty, or that this warranty is void, the product will be returned to you COD. There is no charge for inspection.

How Does State Law Apply? This warranty gives you specific legal rights, and you may also have other rights which vary from state to state.



WWW.FRESHAIREUV.COM
sales@freshaireuv.com