



# *ARI Radon Fans*

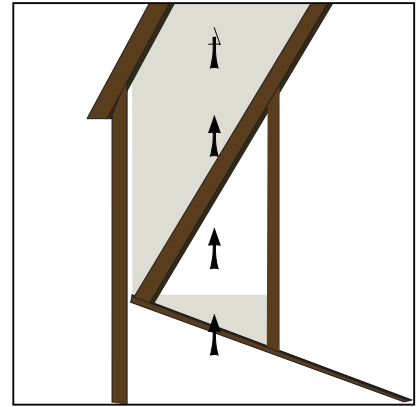
*better AIRFLOW by DESIGN™*

# ARI Radon Fans

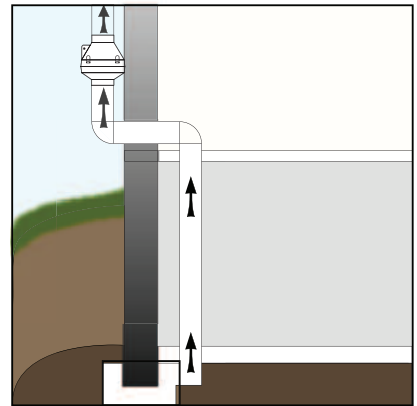
ARI Radon Fans are designed to help mitigate radon gas from a home. Caused by the decay of uranium in the soil, radon is a radioactive, dangerous and naturally occurring gas that emits from the ground. Once the gas has been released into the atmosphere, it accumulates in poorly ventilated areas of a home. Installing an ARI fan in the attic or on the exterior of a home will safely exhaust this hazardous gas.

## Design Features

- Quiet, powerful, radon mitigation fan
- Factory sealed, water tight housing and junction box
- UV and corrosion resistant, durable plastic housing
- Easy to install - mounting brackets included
- May be mounted in the attic or on the exterior of a home
- Ideal for long duct runs
- Available in duct diameters from 4" thru 8"
- Airflow capacity up to 583 cfm
- 120V operation (also available in 220V; contact factory for details)
- Suitable for air temperatures up to 122 F
- Backward-curved centrifugal fan impeller:
  - ✓ Operates at low sound levels
  - ✓ Overcomes high static pressure
  - ✓ Will not stall or overload motor
- External rotor motor design results in superior motor cooling and durability
- Permanently lubricated ball bearing motor for maintenance-free operation
- Automatic reset, thermal overload protection
- Precision balanced for quiet and vibration-free operation
- Easily accessible, external junction box



Interior Attic Installation



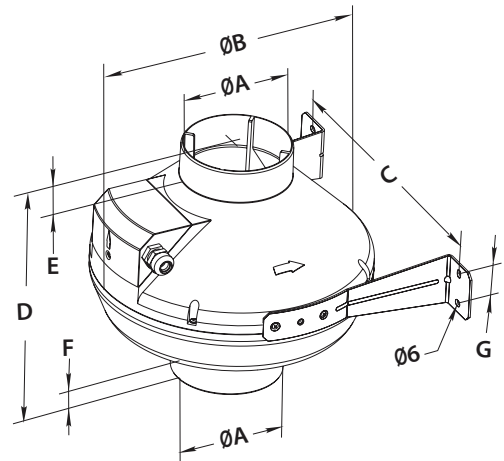
Exterior Installation

## Performance Data

MODEL	RPM	WATTS	CUBIC FEET PER MINUTE				
			0" SP	0.2" SP	0.5" SP	1.0" SP	1.5" SP
ARI100	3088	106	162	150	134	104	67
ARI125	2960	114	235	214	178	123	72
ARI150	2907	113	317	289	247	178	68
ARI200	2650	142	583	544	462	320	196

## Dimensional Data

MODEL	DUCT DIA.	ØA (in)	ØB (in)	C (in)	D (in)	E (in)	F (in)	G (in)	SHIP WT (lbs)
ARI100	4"	3.9	9.8	10.6	9.1	1.2	1.1	1.2	7.0
ARI125	5"	4.9	9.8	10.6	8.7	1.2	1.1	1.2	7.0
ARI150	6"	5.9	11.8	12.2	11.3	1.2	1.2	1.2	8.0
ARI200	8"	7.9	13.4	13.9	10.9	1.2	1.2	1.6	9.0



[www.continentalfan.com](http://www.continentalfan.com)

—better AIRFLOW by DESIGN™

**USA - Continental Fan Manufacturing Inc.**  
203 Eggert Road, Buffalo, NY 14215  
T: 716-842-0670 • 800-779-4021 • F: 716-842-0611

**Canada - Continental Fan Canada Inc.**  
12-205 Matheson Blvd E, Mississauga, ON L4Z 3E3  
T: 905-890-6192 • 800-779-4021 • F: 905-890-6193

Distributed By: