



AireShareTM Room-to-Room Ventilator

Make hot or cold rooms more comfortable

The perfect companion for homes with:

- Split System or Window A/C
- Space Heaters or Wood Stoves

Pull cool air from floor level or warm air from ceiling level and distribute high or low



Floor to Floor



Floor to Ceiling



Ceiling to Ceiling



Ceiling to Floor

- Blends with any décor
 - Classic grille and sleek diffuser
 - No exposed electrical cords
- Whisper quiet operation
 - Low Sone cross flow blower
 - 50% quieter than any other through wall fan
- Easy to install
 - Quickly installs in interior finished walls
 - Choose hard wired model AS1 or concealed power cord model AS1P



TJERNLUND

AireShareTM
Ventilator

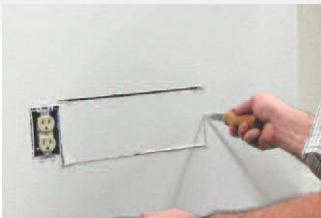
Share Air Room To Room

AireShare™ Room-to-Room Ventilator



Easy to install with common hand tools.

The AireShare ventilator can be installed in any unobstructed interior wall with studs 16" on center.



Use a hand sheetrock saw and provided templates to cut the openings for the blower and diffuser.



The **Model AS1P** includes a concealed power cord and must be installed adjacent to an electrical outlet. It features an on-off switch on the bottom of its grille and accommodates electrical outlets on the right or left side.



The **Model AS1** requires a hard wired 120 VAC electrical connection from within the wall cavity. Add a 120 VAC wall switch or thermostat to turn it on or off.



The diffuser is installed in the same wall cavity in the adjacent room.



Quick Comfort Calculation

Multiply the Length x Width x Height of uncomfortable room (in feet) and then divide by 75 to determine the number of minutes needed to bring the uncomfortable room to nearly the same air temperature as adjacent room.

Example: 15 ft x 15 ft x 8 ft = 1800 Cubic ft ÷ 75 = 24 minutes

Uncomfortable room dimensions:

L _____ x W _____ x H _____ ÷ 75 = _____ minutes

This calculation relates to air temperature and makes certain basic assumptions. It is recommended that the AireShare be operated for an extended period so that objects within the room such as walls and furnishings also equal the air temperature.

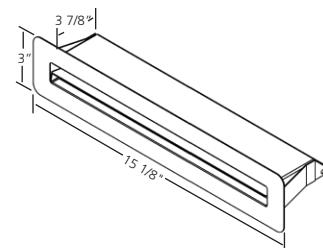
Specifications

| | |
|---------------------------|--------------------------------------|
| Volts: 120 | CFM: 75 |
| Hertz: 60 | RPM: 1800 |
| Amps: 0.50 Maximum | Sound: AS1= 42dB (1.15 Sones) |
| Watts: 25 | AS1P= 45dB (1.42 Sones) |

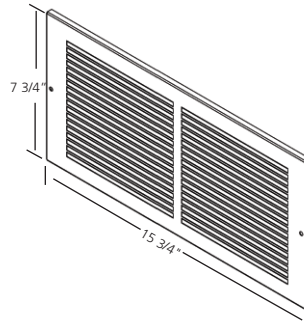


Dimensions

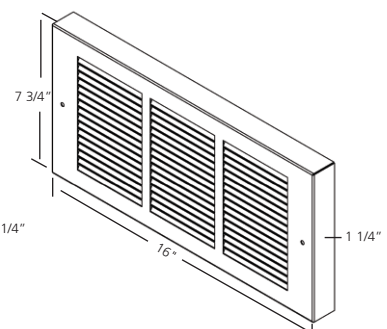
Diffuser for Models AS1 and AS1P



Grille for Model AS1



Grille for Model AS1P



Available From:



TJERNLUND PRODUCTS, INC.

1601 Ninth Street White Bear Lake, MN 55110-6794
Phone: 651.426.2993 800.255.4208 Fax: 651.426.9547
Visit our web site: www.tjernlund.com